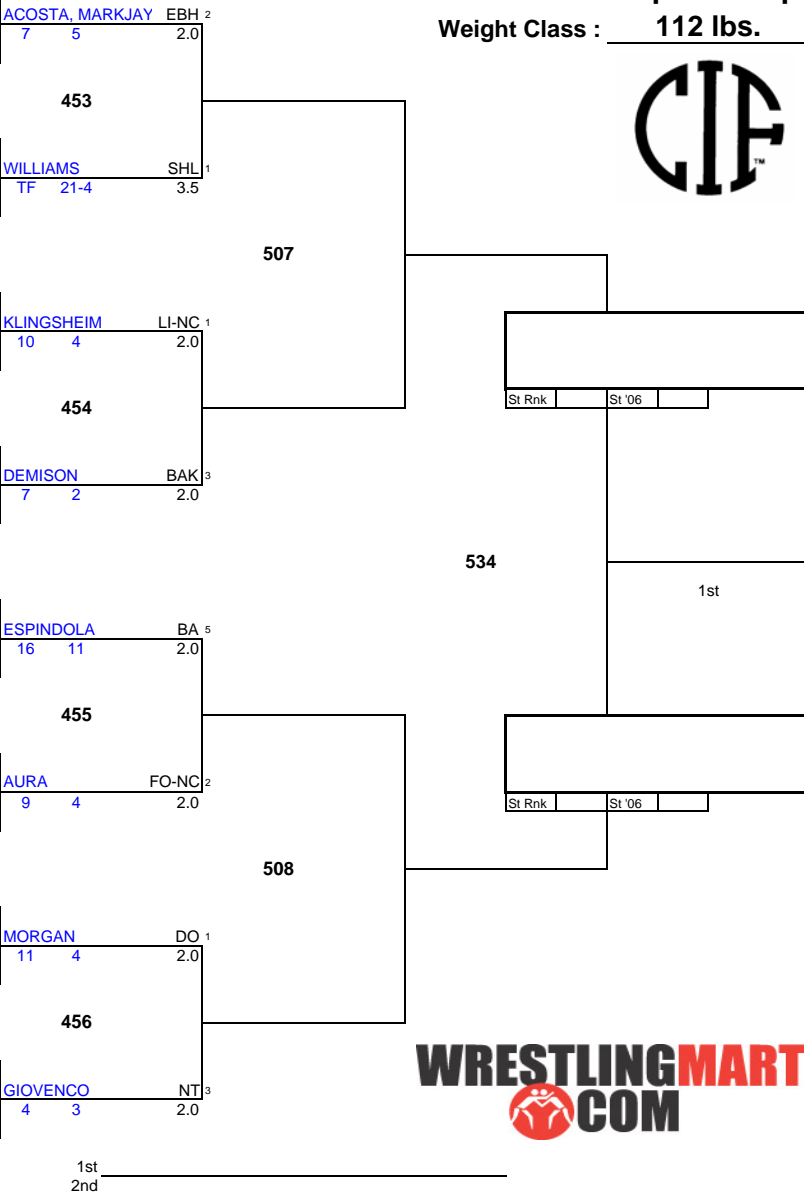


2007 CIF State Championship

Weight Class : **112 lbs.**



| | | | | | |
|-------------------------------|--|----------------------------------|-----------------------------|-------------------------------|--------------------------|
| ACOSTA, MARKJAY (11) NC-3 | | San Leandro (NC) 129 | ACOSTA | SL | 4.0 |
| MIRANDA, CESAR (11) S-8 | | La Sierra (S) 345 | 7 | 3 | |
| GONZALEZ, PETER (10) C-2 | | East Bakersfield (CS) 130 | GONZALEZ | EBH | 5.0 |
| LEE, ROBERT (12) SJ-5 | | LEE | BC | 12 | 4 |
| Buhach Colony (SJ) 9 | | MENDOZA, REY (11) CC-2 | MEY | EG | 5.0 |
| | | Watsonville (CC) 131 | 12 | 2 | |
| | | MEY, SOPHAN (11) SJ-3 | ELK GROVE (SJ) 346 | WILLIAMS | SHL |
| | | OSUNA, ALFONSO (10) SD-4 | WILLIAMS | SHL | 3.5 |
| FITZGERALD, STEVEN (11) C-5 | | Brawley (SD) 132 | TF | 17-0 | |
| Clovis East (CS) 10 | | WILLIAMS | 4 | 2 | 2.0 |
| WILLIAMS, THOMAS (11) S-1 | | KLINGSHEIM, DAVID (10) NC-1 | KLINGSHEIM | LI-NC | 5.5 |
| South Hills (S) | | Liberty (NC) 133 | TF | 16-0 | |
| | | EVERWINE, CHASE (12) C-7 | EVERWINE | LI-NC | 2.0 |
| | | Clovis West (CS) 347 | 10 | 4 | |
| VIDMAR, STEPHEN (12) S-4 | | BROWN, TRAVIS (12) SJ-2 | BROWN | PON | 4.0 |
| Tesoro (S) 11 | | Ponderosa (SJ) 134 | VIDMAR | TES | 6 |
| | | VIDMAR | 9 | 3 | 2.0 |
| NAMAN, TYLER (11) CC-4 | | YORBA, HENRY (10) SD-1 | YORBA | POW | 6.0 |
| Harbor (CC) | | Poway (SD) 135 | F | 1:13 | |
| | | LABMAN, JOEL (12) S-7 | Oxnard (S) 348 | DEMISON | BAK |
| | | Oxnard (S) | PAGENKOPP, RANDALL (10) N-2 | DEMISON | BAK |
| | | OROVILLE (N) 136 | DEMISON | BAK | 4.0 |
| YIP, ANDREW (12) SF-1 | | OROVILLE (N) 136 | F | 5:15 | |
| Lowell (SF) 12 | | DEMISON | F | 2:11 | 4.0 |
| DEMISON, NEKTOE (12) C-3 | | DURAN, MIKE (12) CC-1 | ESPINDOLA | BA | 6.0 |
| Bakersfield (CS) | | Sobrato (CC) 137 | ESPINDOLA | BA | 5:44 |
| | | ESPINDOLA, STEVEN (10) S-5 | Bishop Amat (S) 349 | KIRK, CHRIS (11) SD-2 | HERMAN |
| | | KIRK, CHRIS (11) SD-2 | HERMAN | PRT | 4.0 |
| BYE | | Ramona (SD) 138 | HERMAN | PRT | 9 |
| | | HERMAN | 0.0 | 2 | |
| HERMAN, TANNER (10) N-1 | | DO, DUYN (12) O-1 | AURA | FO-NC | 5.5 |
| PORTOLA (N) | | Oakland (O) 139 | TF | 16-1 | |
| | | AURA, KELLEN (12) NC-2 | FOOTHILL (NC) 350 | NGUYEN, PHONG (12) SJ-6 | NGUYEN |
| | | FOOTHILL (NC) | NGUYEN | WR | 4.0 |
| BARRALES, DILLON (10) S-2 | | Weston Ranch (SJ) 140 | JARAMILLO | LEM | 5 |
| Temecula Valley (S) 14 | | JARAMILLO | 1 | 0 | 2.0 |
| JARAMILLO, AJ (11) C-4 | | MORGAN, CONNOR (10) SJ-1 | MORGAN | DO | 4.0 |
| Lemoore (CS) | | Del Oro (SJ) 141 | ARMENDARIZ, CHRIS (12) S-6 | West Covina (S) 351 | HOLMES, LONDON (12) SD-3 |
| | | ARMENDARIZ, CHRIS (12) S-6 | HOLMES | VAL | 6.0 |
| ERLEC, RICK (12) NC-4 | | Valhalla (SD) 142 | ERLEC | CP | 2:54 |
| College Park (NC) 15 | | ERLEC | TF | 18-3 | 3.5 |
| ROBERTS, NATHAN (09) C-6 | | QUINTANA, DIEGO (10) C-1 | QUINTANA | SEL | 4.0 |
| Buchanan (CS) | | Selma (CS) 143 | QUINTANA | SEL | 8 |
| | | NAKASONE, JORDAN (12) SJ-4 | NAKASONE | LIN | 3:0 |
| | | Lincoln-L (SJ) 352 | GIOVENCO, RYAN (11) S-3 | North Torrance (S) 144 | GIOVENCO |
| | | GIOVENCO, RYAN (11) S-3 | DAVILLA | NT | 5.5 |
| MENDEZ, TONY (12) LA-1 | | North Torrance (S) 144 | DAVILLA | NT | TF |
| San Fernando (LA) 16 | | DAVILLA | 17 | 10 | 2.0 |
| DAVILLA, JUNIOR (09) CC-3 | | San Benito (CC) | | | |

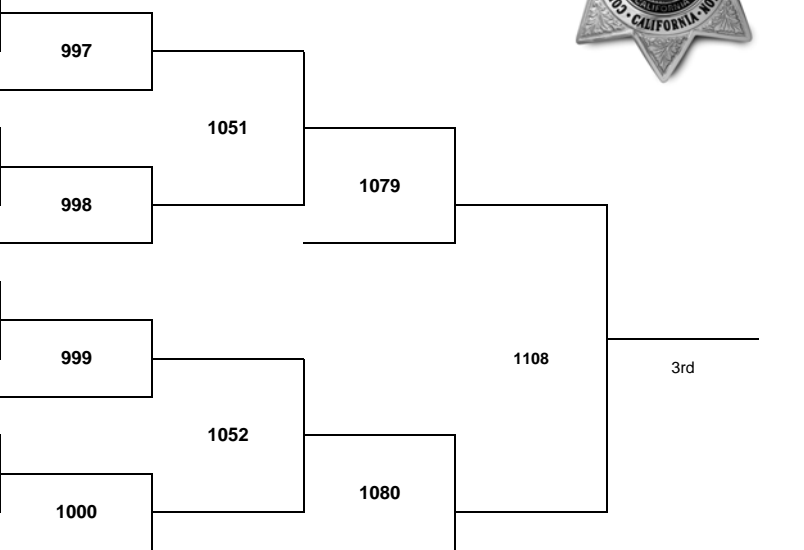


| | |
|--------|--------|
| St Rnk | St '06 |
| | |
| 1st | |
| | |
| St Rnk | St '06 |
| | |

- 1st _____
- 2nd _____
- 3rd _____
- 4th _____
- 5th _____
- 6th _____
- 7th _____
- 8th _____



| | | | | | | |
|------------|--|------------|-----------|----------|--------|-----|
| BYE | | DURAN | SOB | 0.0 | DURAN | SOB |
| DURAN | | SOB | 0.0 | DURAN | SOB | 1.0 |
| 609 | | KIRK | RAM | 12 | 10 | |
| FITZGERALD | | CE | YORBA | POW | | |
| | | FITZGERALD | CE | 833 | | |
| DO | | OKL | JARAMILLO | LEM | 5 | 3 |
| 610 | | HAR | 722 | BROWN | PON | 1.0 |
| | | NAMAN | HAR | 834 | | |
| | | ARMENDARIZ | WC | ERLEC | CP | 1.0 |
| 611 | | LOW | 723 | MEY | EG | 3.0 |
| | | NAKASONE | LIN | 835 | | |
| 612 | | LIN | F | 2:43 | 3.0 | |
| | | DAVILLA | SB | F | 2:31 | 3.0 |
| BYE | | 724 | ACOSTA | SL | | |
| | | MIRANDA | LSA | 836 | | |
| 613 | | LSA | LEE | BC | 10 | 4 |
| | | BARRALES | TVY | QUINTANA | SEL | 1.0 |
| | | BARRALES | TVY | 837 | | |
| 614 | | WTS | 1 | 0 | 1.0 | |
| | | OSUNA | BRA | F | 3:40 | 3.0 |
| | | ROBERTS | BUC | 726 | HOLMES | VAL |
| | | EVERWINE | CW | 838 | | |
| 615 | | CW | 5 | 1 | 1.0 | |
| | | VIDMAR | TES | 6 | 4 | 1.0 |
| | | MENDEZ | SFR | 727 | NGUYEN | WR |
| | | LABMAN | OX | 839 | | |
| 616 | | OX | 15 | 2 | 2.0 | |
| | | PAGENKOPP | ORV | 6 | 1 | 1.0 |
| | | HERMAN | PRT | 840 | | |



Plan 2

