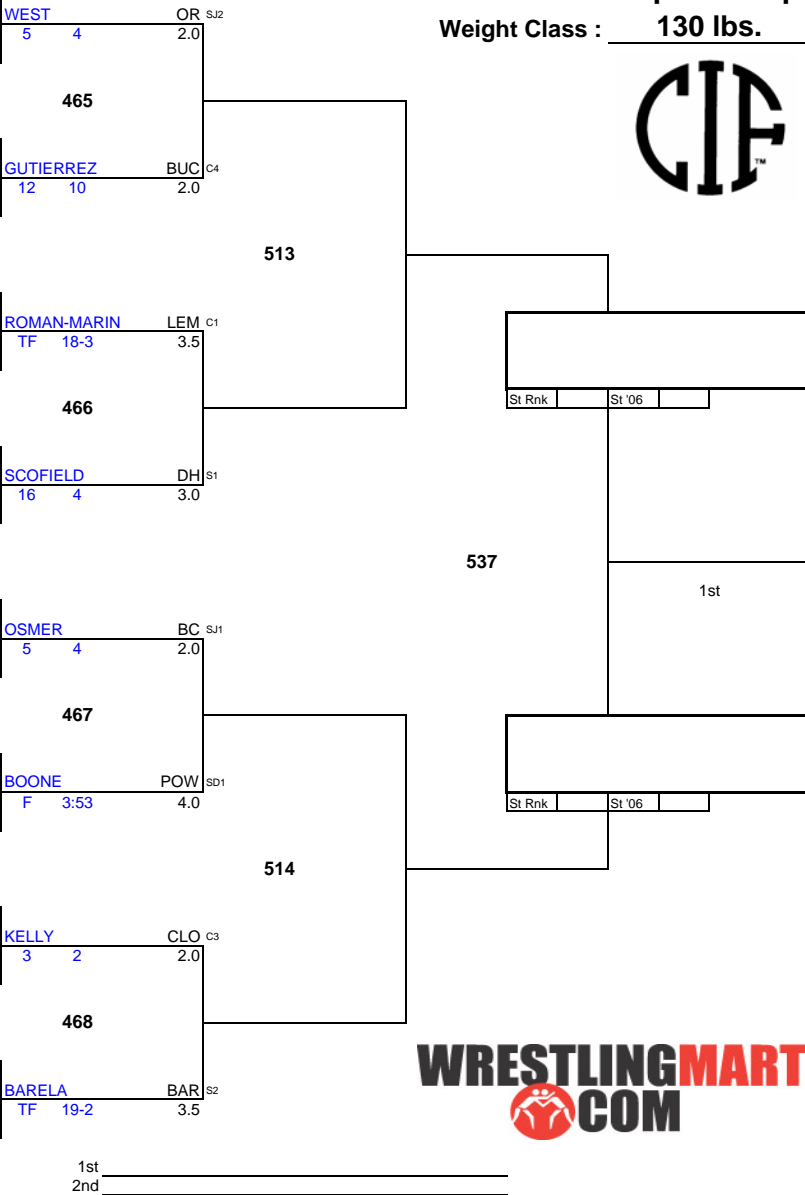


2007 CIF State Championship

Weight Class : **130 lbs.**



WEST, KYLE (10) SJ-2 Oak Ridge (SJ) 177	WEST	OR	5.0
COTTRELL, THOMAS (11) LA-1 Chatsworth (LA)	10	0	369
CHENE, SCOTT (11) S-4 Irvine (S) 33	CHENE	IRV	2.0
DIXSON, DEREK (11) SD-3 Vista (SD)	3	2	178
NAVARETTE, TIM (11) N-1 Shasta (N)	13	6	370
BODKIN, MIKE (12) NC-2 Liberty (NC) 179	GUTIERREZ	BUC	6.0
GUTIERREZ, ISIDRO (11) C-4 Buchanan (CS)	F	1:27	370
WARR, RUBEN (12) S-5 California (S) 180	WARR	CA	4.0
THOMPSON, RYAN (12) SJ-6 Oakmont (SJ) 34	STEVENS	SV	4.0
STEVENS, DANE (11) CC-1 Scotts Valley (CC)	11	1	181
HERNANDEZ, ALFONSO (11) S-8 Cajon (S)	F	5:33	371
ROMAN-MARIN, SEAN (12) C-1 Lemoore (CS)	F	5:33	371
CATHEY, LAQUINITA (11) CC-4 Fremont (CC) 182	MANUEL	NU	5.5
MANUEL, MATT (11) SJ-5 Nevada Union (SJ) 35	MANUEL	NU	0.0
BYE			
MANDELL, BEN (10) SJ-3 Casa Roble (SJ) 183	MANDELL	CR	6.0
GONZALEZ, FREDDY (12) C-7 East Bakersfield (CS)	F	4:53	372
SCOFIELD, BOBBY (12) S-1 Dana Hills (S) 184	SCOFIELD	DH	5.5
BYE			
GOMEZ, ADRIAN (12) NC-3 James Logan (NC)	GOMEZ	JLG	0.0
GUDINO, DANIEL (11) S-6 Hesperia (S) 185	GUDINO	HES	6.0
KWONG, DUSTIN (11) SF-1 Lowell (SF)	F	2:34	373
HICKS, SETH (10) C-5 Centennial (CS) 186	OSMER	BC	2.0
HERNANDEZ, NICK (11) NC-4 Granada (NC) 37	OSMER	BC	3.0
OSMER, DANIEL (12) SJ-1 Buhach Colony (SJ)	13	3	187
BOONE, JOE (12) SD-1 Poway (SD)	3	1	374
EAGLESON, RYAN (12) S-3 Rancho Cucamonga (S)	3	1	374
ARREOLA, ALBERTO (11) C-6 Washington Union (CS) 188	ARREOLA	WU	4.0
BYE			
HOWARD, ALAN (12) CC-2 Los Gatos (CC)	HOWARD	LG	0.0
KELLY, CAMERON (10) C-3 Clovis (CS) 189	KELLY	CLO	6.0
PERKINS, ROGER (12) N-2 Central Valley (N)	F	3:00	375
STARBECK, MATT (12) SD-4 Mt Carmel (SD) 190	NEWCOMER	LHL	2.0
MADRIGAL, PORFIRIO (12) NC-1 Healdsburg (NC) 39	NEWCOMER	LHL	2.0
NEWCOMER, MITCH (10) S-7 Laguna Hills (S)	4	2	191
BARELA, DONAVAN (12) S-2 Barstow (S)	F	:59	376
SOTO, GERARDO (12) O-1 Fremont (O)	F	:59	376
HODEL, TAYLOR (10) SJ-4 Vacaville (SJ) 192	CASTILLO	ARV	4.0
CASTILLO, FRANKIE (12) C-2 Arvin (CS) 40	CASTILLO	ARV	4.0
KADOKURA, ALEX (12) CC-3 Monta Vista (CC)	F	5:16	4.0



DIXSON VIS KWONG LOW 633	DIXSON VIS HICKS CEN F 1:41 3.0	HICKS CEN F 1:43 3.0	HICKS CEN
THOMPSON OKM 745	EAGLESON RC 19 9 2.0	MANDELL CR 7 2 1.0	953
EAGLESON RC 634	HOWARD LG 7 2 1.0	MANUEL NU	1009
BYE 746	PERKINS CNV 0.0	STARBECK MTC 6 3 1.0	954
PERKINS CNV 635	STARBECK MTC 6 3 1.0	WARR CA	1057
BYE 747	SOTO FR-O 0.0	HODEL VAC TF 15-0 2.5	954
SOTO FR-O 636	HODEL VAC TF 15-0 2.5	CHENE IRV	1010
HERNANDEZ GRA 748	COTTRELL CHT 10 0 2.0	NAVARETTE SHS 4 3 1.0	955
COTTRELL CHT 637	NAVARETTE SHS 4 3 1.0	CASTILLO ARV	1011
BYE 749	BODKIN LI-NC 0.0	BODKIN LI-NC 5 2 2.0	955
BODKIN LI-NC 638	STEVENS SV 5 2 2.0	NEWCOMER LHL	1011
MADRIGAL HEA 750	MADRIGAL HEA 11 0 2.0	MADRIGAL HEA F 2:04 3.0	956
HERNANDEZ CAJ 639	CATHEY FR-CC 11 0 2.0	ARREOLA WU	1012
KADOKURA MV-CC 751	GONZALEZ EBH 11 5 1.0	GOMEZ JLG 3 0 1.0	956
GONZALEZ EBH 640	GOMEZ JLG 3 0 1.0	GUDINO HES	1012
	752	GUDINO HES	864

- 1st _____
- 2nd _____
- 3rd _____
- 4th _____
- 5th _____
- 6th _____
- 7th _____
- 8th _____

Plan 7

