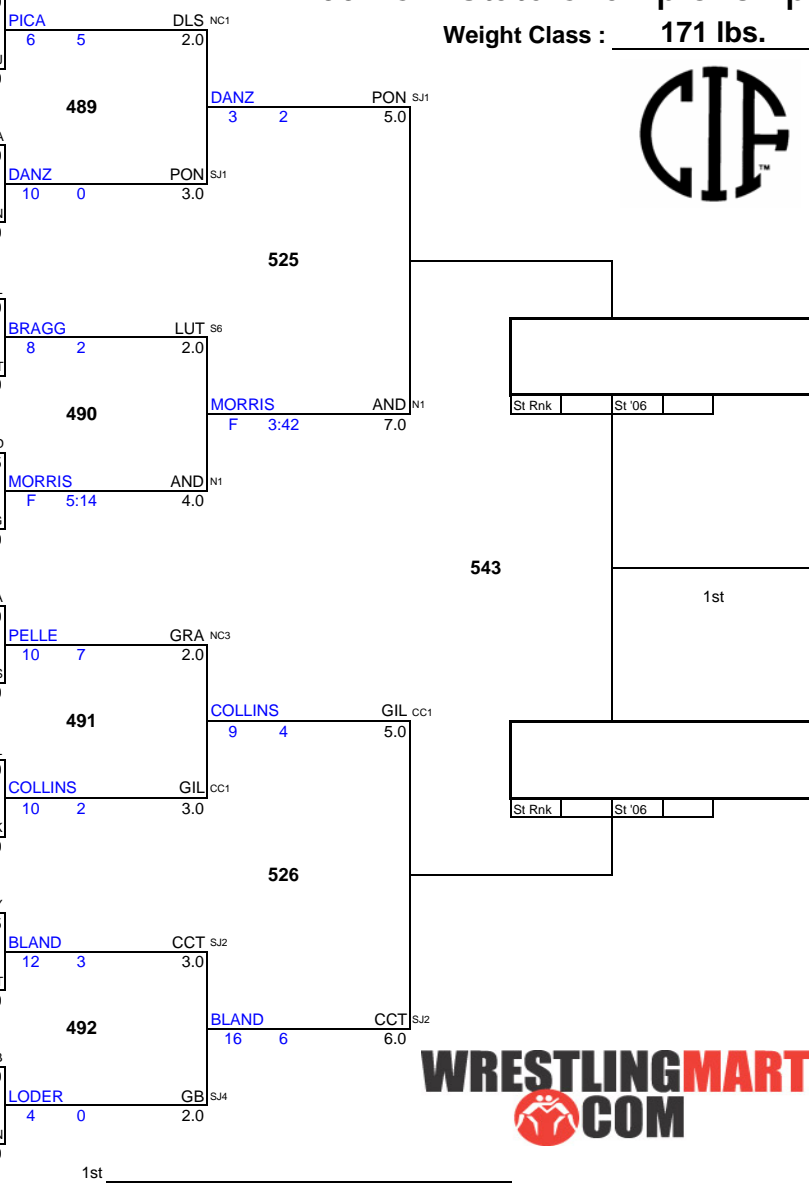


2007 CIF State Championship

Weight Class : **171 lbs.**



PICA, TITO (11) NC-1 De La Salle (NC) 273	PICA	DLS	
HACK, TYLER (11) C-5 Tehachapi (CS) 417	F :32	6.0	
WILLIAMS, JORDAN (10) SJ-6 El Dorado (SJ) 274	WILLIAMS	EL-SJ	
GUTTAS, ANDREW (12) CC-2 Serra (CC) 81	GUTTAS	SER	20 11 5.0
REYES, DOMINICK (11) S-7 Hesperia (S)	8 3	2.0	
TEC, JUAN (12) LA-1 Chatsworth (LA) 275	HEISINGER	CHA	
HEISINGER, JAKE (12) S-2 Chaparral (S) 418	F 1:41	6.0	
SHAVER, ZACH (11) C-4 Clovis (CS) 276	DANZ	PON	
BASCON, CHRIS (12) SD-2 Mt Carmel (SD) 82	DANZ	PON	F :47 4.0
DANZ, JUSTIN (12) SJ-1 Ponderosa (SJ)	F :41	4.0	
SMITH, ERIC (12) C-1 Buchanan (CS) 277	MICHALEK	FOL	
MICHALEK, SHAWN (12) SJ-5 Folsom (SJ) 419	F 1:31	6.0	
EADE, CHRIS (12) SD-3 Monte Vista (SD) 278	BRAGG	LUT	
BYE	BRAGG	LUT	5 0 4.0
BRAGG, KELAN (12) S-6 Lutheran/O (S)	0.0		
MORRIS, JON (12) N-1 Anderson (N) 279	MORRIS	AND	
KELLOGG, ALEX (11) CC-3 San Lorenzo Valley (CC) 420	TF 18-3	5.5	
PAPPAS, NICK (11) NC-4 Sonoma (NC) 280	NOEL	RIG	
NOEL, TODD (12) S-3 Righetti (S) 84	NOEL	RIG	10 2 3.0
VILASENOR, SERGIO (11) C-7 Monache (CS)	11 1	3.0	
ALLISON, DUSTIN (12) C-2 Madera (CS) 281	PELLE	GRA	
PELLE, PETER (12) NC-3 Granada (NC) 421	17 4	5.0	
HAMPTON, STEPHAN (11) N-2 Red Bluff (N) 282	DEAN	EL-S	
BROWN, TRAVIS (12) SD-1 Poway (SD) 85	DEAN	EL-S	7 3 2.0
DEAN, SEAMUS (12) S-5 El Dorado (S)	6 5	2.0	
CARLIN, RUSSELL (12) S-4 Quartz Hill (S) 283	COLLINS	GIL	
COLLINS, HUNTER (11) CC-1 Gilroy (CC) 422	16 4	5.0	
OWENS, DEANDRE (11) O-1 McClymonds (O) 284	ALTAMIRANO	TOK	
BYE	ALTAMIRANO	TOK	F 1:24 6.0
ALTAMIRANO, RICO (12) SJ-3 Tokay (SJ)	0.0		
MEREDITH, JAKE (11) S-1 Temecula Valley (S) 285	MEREDITH	TVY	
WALKER, JUSTIN (12) C-6 Sierra (CS) 423	TF 18-0	5.5	
MEULMAN, DREW (09) CC-4 Saint Francis (CC) 286	BLAND	CCT	
BLAND, LOUIS (11) SJ-2 Central Catholic (SJ) 87	BLAND	CCT	F 5:59 4.0
GRIPPO, DOMINIC (12) SD-4 San Pasqual (SD)	F 1:10	4.0	
CARLS, BRAD (11) C-3 Bakersfield (CS) 287	LODER	GB	
LODER, RYAN (10) SJ-4 Granite Bay (SJ) 424	12 5	4.0	
VAOVASA, PARADISE (12) SF-1 Balboa (SF) 288	GASTELO	GLN	
GASTELO, ISAIAS (12) S-8 John Glenn (S) 88	GASTELO	GLN	F 1:51 6.0
BYE	0.0		



- 1st _____
- 2nd _____
- 3rd _____
- 4th _____
- 5th _____
- 6th _____
- 7th _____
- 8th _____



REYES	HES	REYES	HES	F 3:41	3.0	HAMPTON	RBL	9 8	1.0	NOEL	RIG
ALLISON	MAD	681	HAMPTON	RBL	5 4	1.0					
BASCON	MTC	793	NOEL	RIG	905	977	NOEL	RIG	S3	11 4	1.0
CARLIN	QH	F 1:43	3.0	CARLIN	QH	1033	LODER	GB	S4		
BYE	OWENS	794	MCC	F 1:40	3.0	CARLIN	QH				
WALKER	SIE	0.0	MEULMAN	SFN	12 5	1.0	HEISINGER	CHA			
683	MEULMAN	SFN	907	HEISINGER	CHA	F 1:58	3.0	HEISINGER	CHA	S2	
VILASENOR	MON	795	MON	907	VILASENOR	MON	F 1:00	3.0	HEISINGER	CHA	S2
CARLS	BAK	5 1	1.0	VILASENOR	MON	F 2:32	3.0	WILLIAMS	EL-SJ		
684	VAOVASA	BAL	796	WILLIAMS	EL-SJ	5 3	1.0	PELLE	GRA	NC3	
BROWN	POW	908	BROWN	POW	909	979	MEULMAN	SFN			
HACK	THE	9 1	2.0	GUTTAS	SER	11 2	2.0	BROWN	POW		
685	GUTTAS	SER	909	GASTELO	GLN	12 3	2.0	MEULMAN	SFN		
BYE	TEC	0.0	TEC	CHT	909	979	MEREDITH	TVY	S1	10 1	2.0
TEC	CHT	0.0	TEC	CHT	909	979	MEREDITH	TVY	S1	10 1	2.0
686	SHAVAR	CLO	4 1	2.0	MEREDITH	TVY	F 2:23	3.0	BRAGG	LUT	S6
GRIPPO	SP	798	MEREDITH	TVY	910	SMITH	BUK				
SMITH	BUK	15 4	2.0	SMITH	BUK	10 2	2.0	SMITH	BUK	C1	
687	EADE	MV-SD	10 2	2.0	SMITH	BUK	11 3	2.0	SMITH	BUK	C1
BYE	799	SON	9 7	2.0	DEAN	EL-S	DEF	3.0	SMITH	BUK	C1
KELLOGG	SLV	0.0	KELLOGG	SLV	911	980	SMITH	BUK	C1	7 5	1.0
688	PAPPAS	SON	9 7	2.0	DEAN	EL-S	DEF	3.0	SMITH	BUK	C1
	800	SON	9 7	2.0	DEAN	EL-S	DEF	3.0	PICA	DLS	NC1
			912								

Plan 6

